

SHRI GURU GOBIND SINGHJI
INSTITUTE OF ENGINEERING & TECHNOLOGY; Vishnupuri, NANDED.

No.SGGSIE&T/Store-3041/Wheel Assembly/Mechanical Engineering/2022-23 Date: 13/09/2022

Inquiry

Subject :- Quotation for supply of Wheel Assembly [As per our attached specs and drawing] For Mechanical Engineering

Dear Sir,

You are requested to send your most competitive quotation for the supply of above material, subject to Conditions mentioned. The quotation in sealed cover should reach this office on or before **26/09/2022 at 01=00 PM**

The sealed cover should super scribe as QUOTATION for above material; Due on **26/09/2022 at 01=00 PM**. The quotation will be opened on **27/09/2022 At. 01:00 pm**. If possible in the presence of such suppliers who remain present.

TERMS AND CONDITIONS:

1. Rates quoted are F.O.R. At Vishnupuri.
2. The taxes, Insurance, Freight, Packing & forwarding charges etc. If any must mention separately.
3. The validity period for the rates offered should be clearly mentioned and it should be 90 days from the date opening of the quotations.
4. The delivery period shall be clearly stated.
5. Submit the shop act certificate along with the quotation.
6. Submit the GST registration certificate along with the quotation.
7. The item quoted should be confirm to the specification given please furnish your Details Specification against each item quoted. The relevant catalogue/pomp let should necessary accompany the quotations.
8. The institution reserves the right to accept any quotation or reject any/all quotations and to order Any of the items in any quantity without assigning any reason
9. The items will have checked at the institute and acceptance is subject to the approval of the institute.
10. If the supply of any part thereof is reject by institute the supplier will have to bear all expenses. Incurred in the matter including all charges for return and replacement of the items.
11. Guarantee should be minimum 12 months from demonstration/installation.
12. 100% payment will be made after receipt of material in good condition and approved by us.
13. If you are having with DGS&D rate contract, or your item is proprietary then please send copy of rate contract or proprietary item certificate along with authorized dealership certificate.
14. If your item/s is /are PROPRIETARY item, then you may please send the PROPRIETARY ITEM CERTIFICATE along with the quotation.
15. If you are AUTHORISED DEALER of any manufacturers, then please send the dealership Certificate and company price list along with the quotation.
16. **Penalty clause:** If supplier fails to supply the ordered material within the scheduled delivery period, for late delivery of goods we will entitled to recover the liquidated damages as a sum equal to ½ percent of the price of stores delivered late per week. As per store purchase manual Revised as per G.O (P) No.3/2013/SPD, dated 21.06.2013.


Thanking You,


DIRECTOR
Director

SGGS Institute of Engg. & Tech
Vishnupuri, Nanded.

Wheel Assembly - Specifications & drawings

Sr. No.	Name of the material	Purpose	Qty. required
1	2	3	4
1	Wheel Assembly <ul style="list-style-type: none">➤ Hub (Material: Al7075-T6)➤ Front Right Knuckle (Material: Al7075-T6)➤ Front Left Knuckle (Material: Al7075-T6)➤ Rear Right Knuckle (Material: Al7075-T6)➤ Rear Left knuckle (Material: Al7075-T6)➤ Right Steering Arm (Material: Al7075-T6)➤ Left Steering Arm (Material: Al7075-T6)➤ Front Brake Disc (Material: SS410)➤ Rear Brake Disc (Material: SS410).	Team Phoenix 22-23 (BAJA)	4 Nos 1 Nos 1 Nos 1 Nos 1 Nos 1 Nos 1 Nos 2 Nos 2 Nos

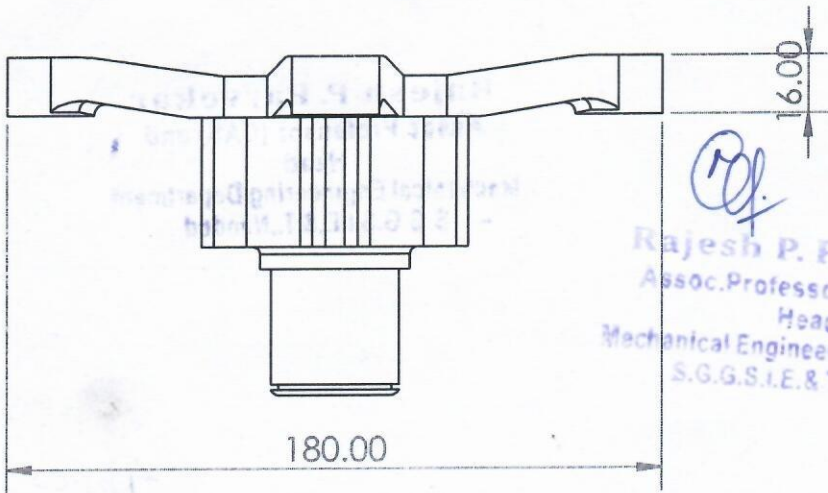
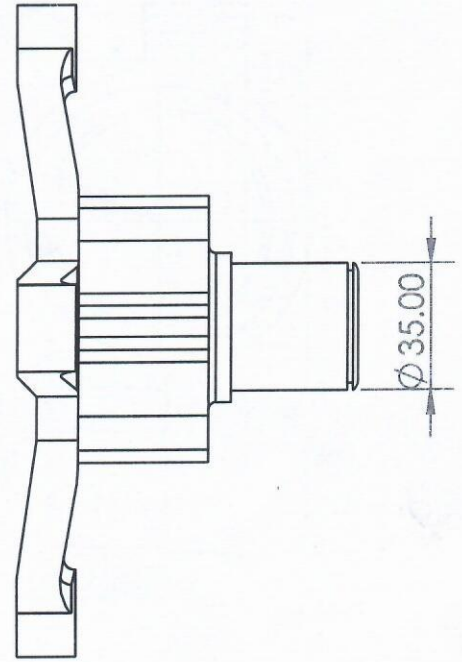
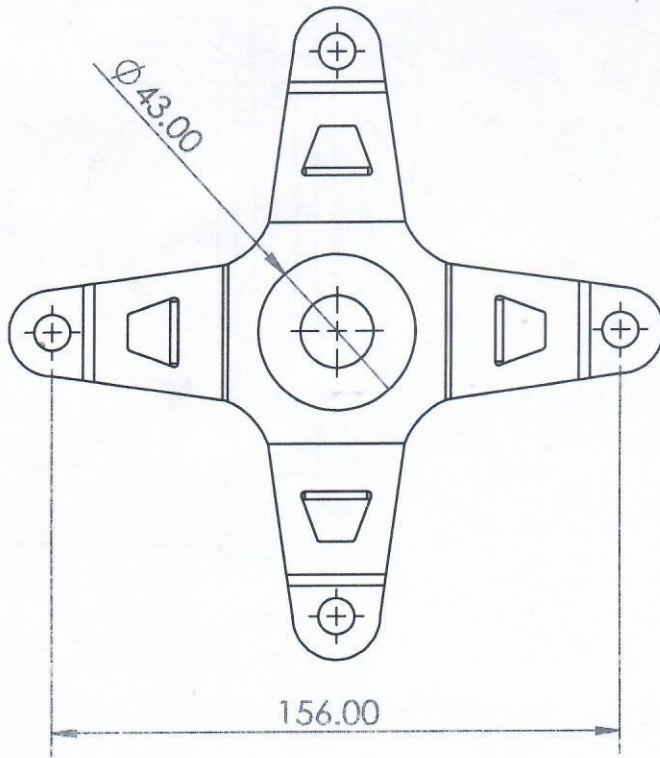

Rajesh P. Parvekar
Assoc. Professor (CAS) and
Head
Mechanical Engineering Department
S.G.G.S.I.E.&T., Nanded

3

2

1

Annexure - A



(Signature)
 Rajesh P. Parvekar
 Assoc. Professor (CAS) and
 Head
 Mechanical Engineering Department
 S.G.G.S.I.E. & T., Nanded

(Signature)
 Tejas Yelne
 Captain

UNLESS OTHERWISE SPECIFIED:
 DIMENSIONS ARE IN MILLIMETERS
 SURFACE FINISH:
 TOLERANCES:
 LINEAR:
 ANGULAR:

FINISH:

DEBURR AND
BREAK SHARP
EDGES

DO NOT SCALE DRAWING

REVISION

	NAME	SIGNATURE	DATE
DRAWN			
CHK'D			
APP'VD			
MFG			
Q.A			

TITLE:

HUB 2023

1/9

MATERIAL:

Al-7075-T6

DWG NO.

A4

WEIGHT:

SCALE:1:2

SHEET 1 OF 1

4

3

2

1

4

3

2

F

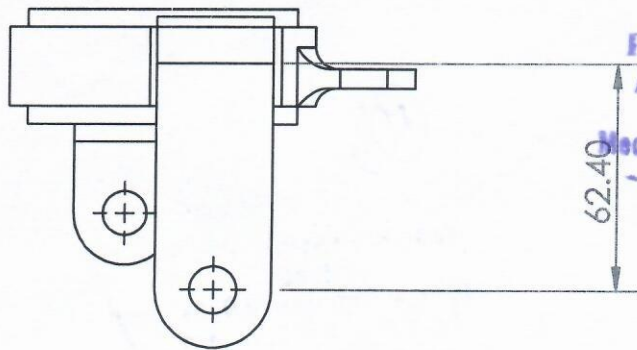
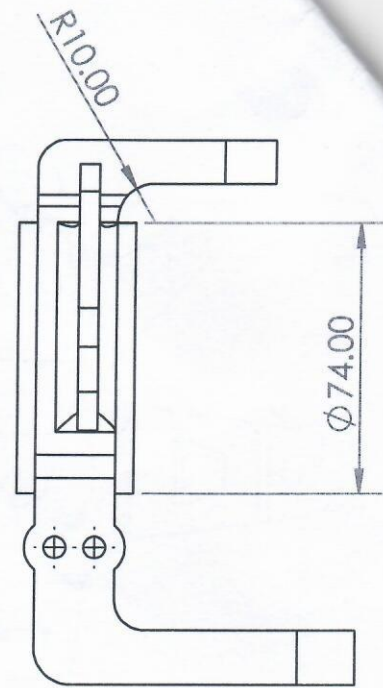
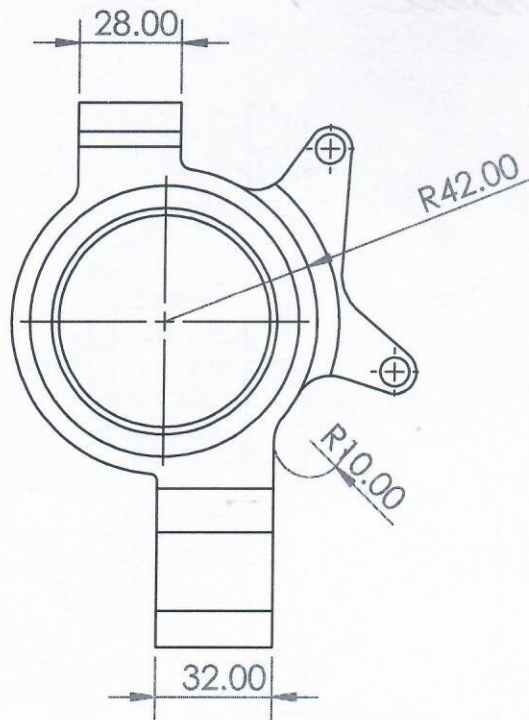
E

D

C

B

A



[Signature]

Rajesh P. Parvekar
 Assoc. Professor (CAS) and
 Head
 Mechanical Engineering Department
 S.G.G.S.I.E. & T., Nanded

Tejus Yelne
 Captain

UNLESS OTHERWISE SPECIFIED:
 DIMENSIONS ARE IN MILLIMETERS
 SURFACE FINISH:
 TOLERANCES:
 LINEAR:
 ANGULAR:

FINISH:

DEBURR AND
BREAK SHARP
EDGES

DO NOT SCALE DRAWING

REVISION

	NAME	SIGNATURE	DATE
DRAWN			
CHK'D			
APPV'D			
MFG			
Q.A			

MATERIAL: **Al-7075-T6**

TITLE: **front knucle
right side 2023**

2/g

DWG NO.

A4

WEIGHT:

SCALE:1:2

SHEET 1 OF 1

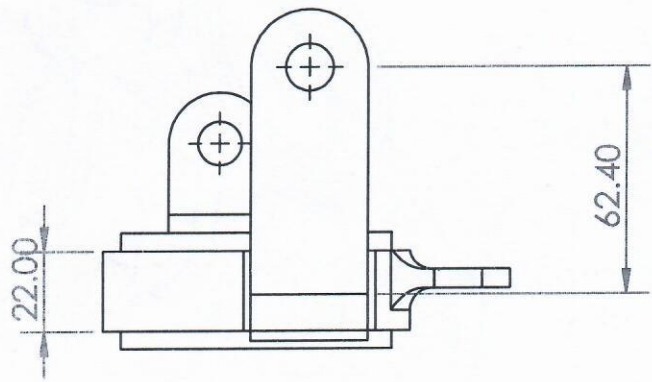
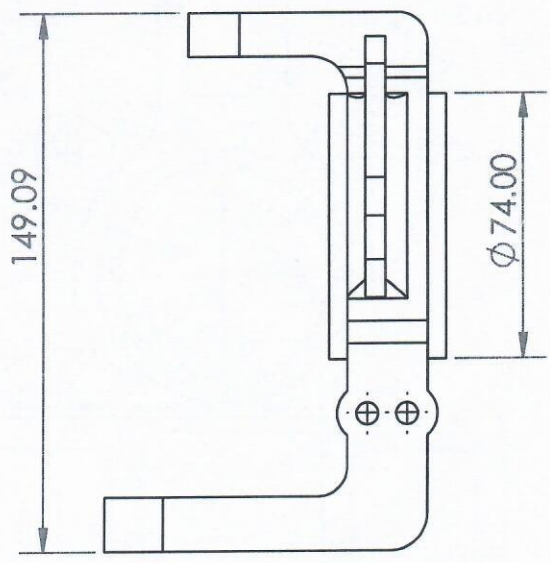
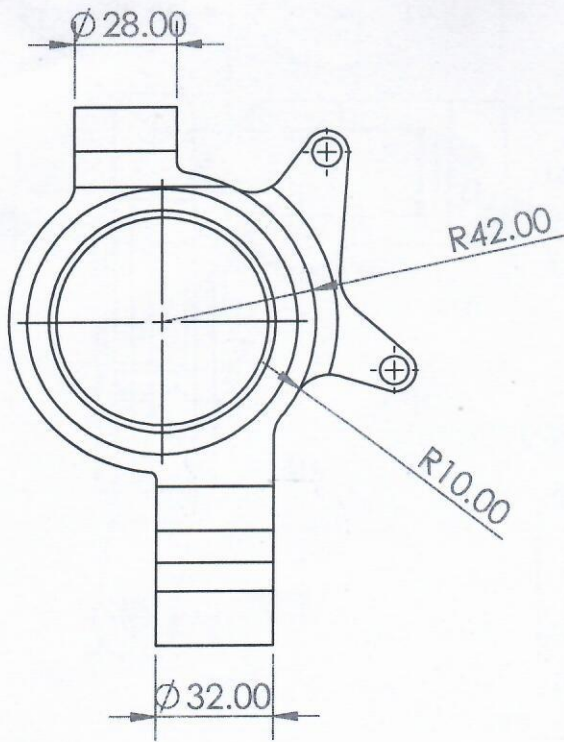
4

3

2

1

A



(Signature)
Rajesh P. Parvekar
 Assoc. Professor (CAS) and
 Head
 Mechanical Engineering Department
 S.G.G.S.I.E. & T., Nanded

(Signature)
Tejas Kelne
 Team Captain

UNLESS OTHERWISE SPECIFIED: DIMENSIONS ARE IN MILLIMETERS SURFACE FINISH: TOLERANCES: LINEAR: ANGULAR:			FINISH:	DEBURR AND BREAK SHARP EDGES	DO NOT SCALE DRAWING	REVISION	
DRAWN	NAME	SIGNATURE	DATE	TITLE: front knucle left side 2023			A4
CHK'D				DWG NO.			
APPV'D				SCALE: 1:2			
MFG				SHEET 1 OF 1			
Q.A				WEIGHT:			
MATERIAL: Al-7075-T6				3			1

(Handwritten) 3/9

4

3

2

F

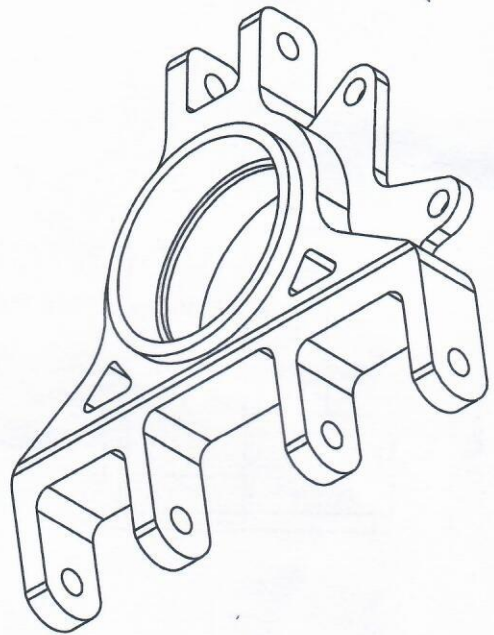
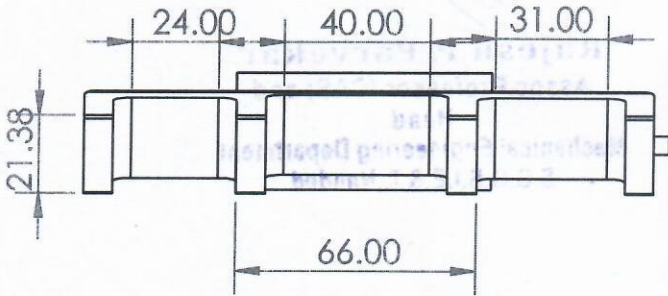
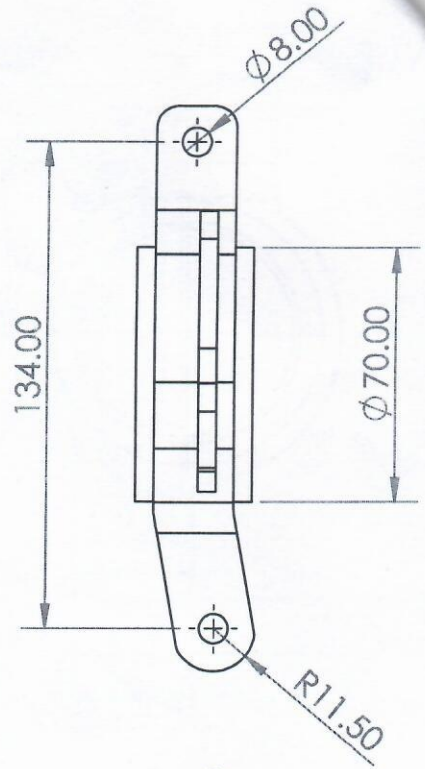
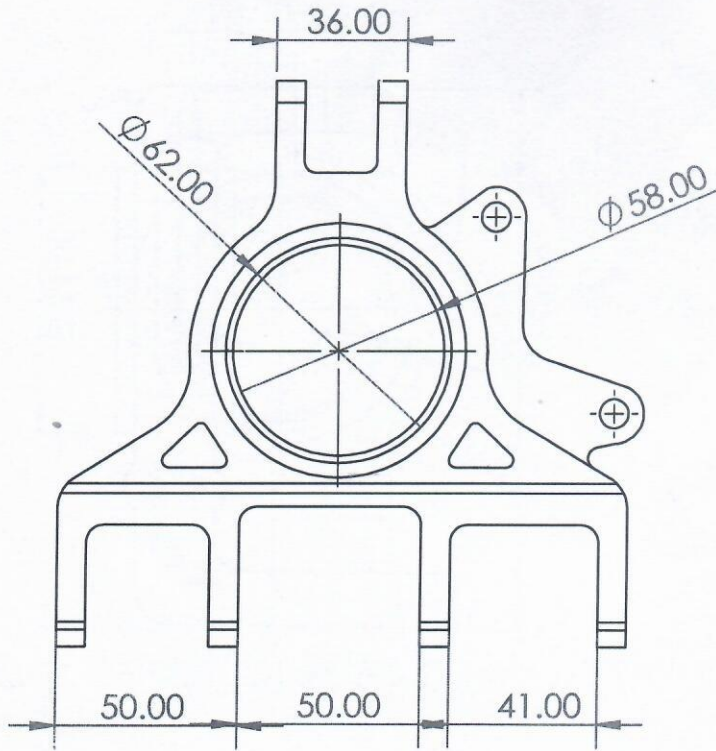
E

D

C

B

A



E

D

C

B

A

(Signature)
Rajesh P. Parvekar
 Assoc. Professor (CAS) and
 Head
 Mechanical Engineering Department
 S.G.G.S.I.E. & T., Nanded

(Signature)
 Tejas Yelne

UNLESS OTHERWISE SPECIFIED:
 DIMENSIONS ARE IN MILLIMETERS
 SURFACE FINISH:
 TOLERANCES:
 LINEAR:
 ANGULAR:

FINISH:

DEBURR AND
 BREAK SHARP
 EDGES

DO NOT SCALE DRAWING

REVISION

	NAME	SIGNATURE	DATE
DRAWN			
CHK'D			
APPV'D			
MFG			
Q.A			

MATERIAL: **Al-7075-T6**

WEIGHT:

TITLE: **Rear Right Knuckle
 AWD 2023**

4/9

DWG NO.

A4

SCALE: 1:2

SHEET 1 OF 1

4

3

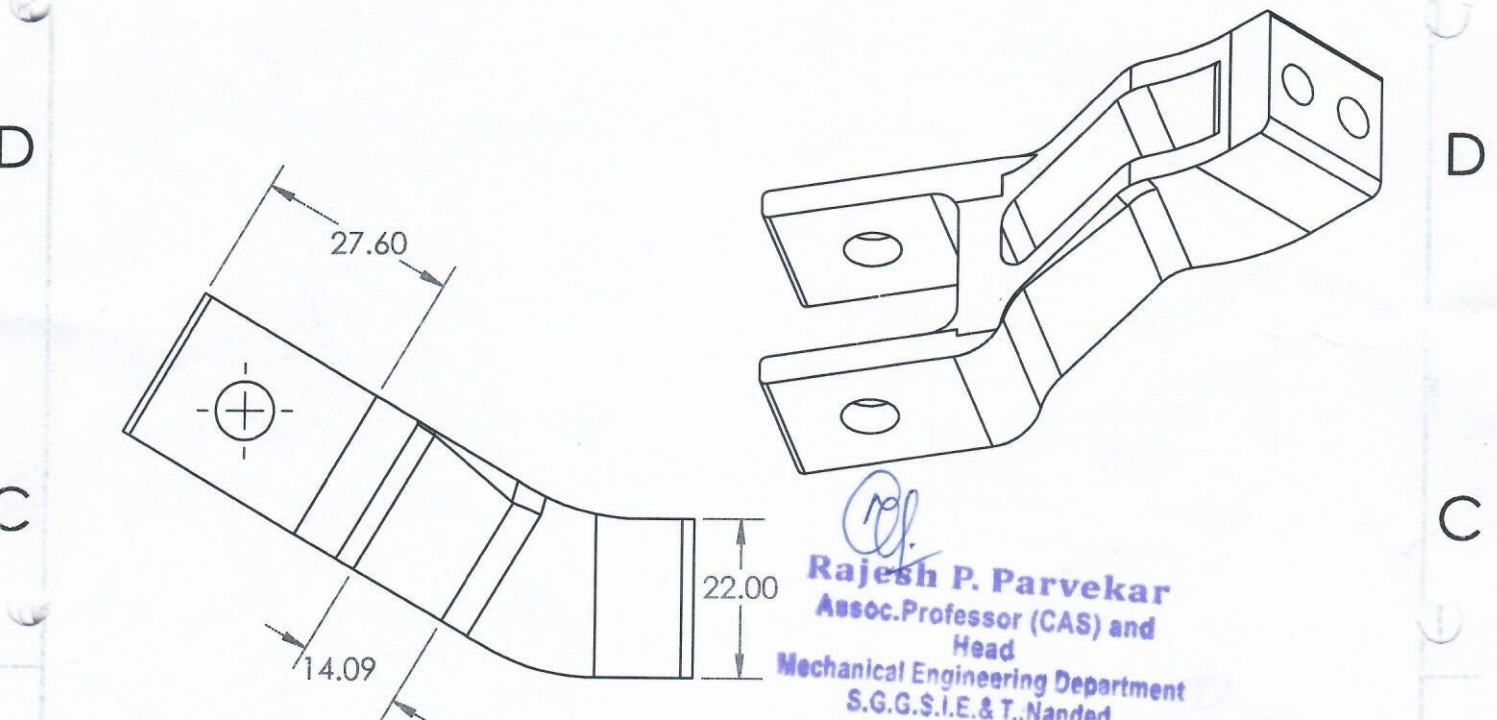
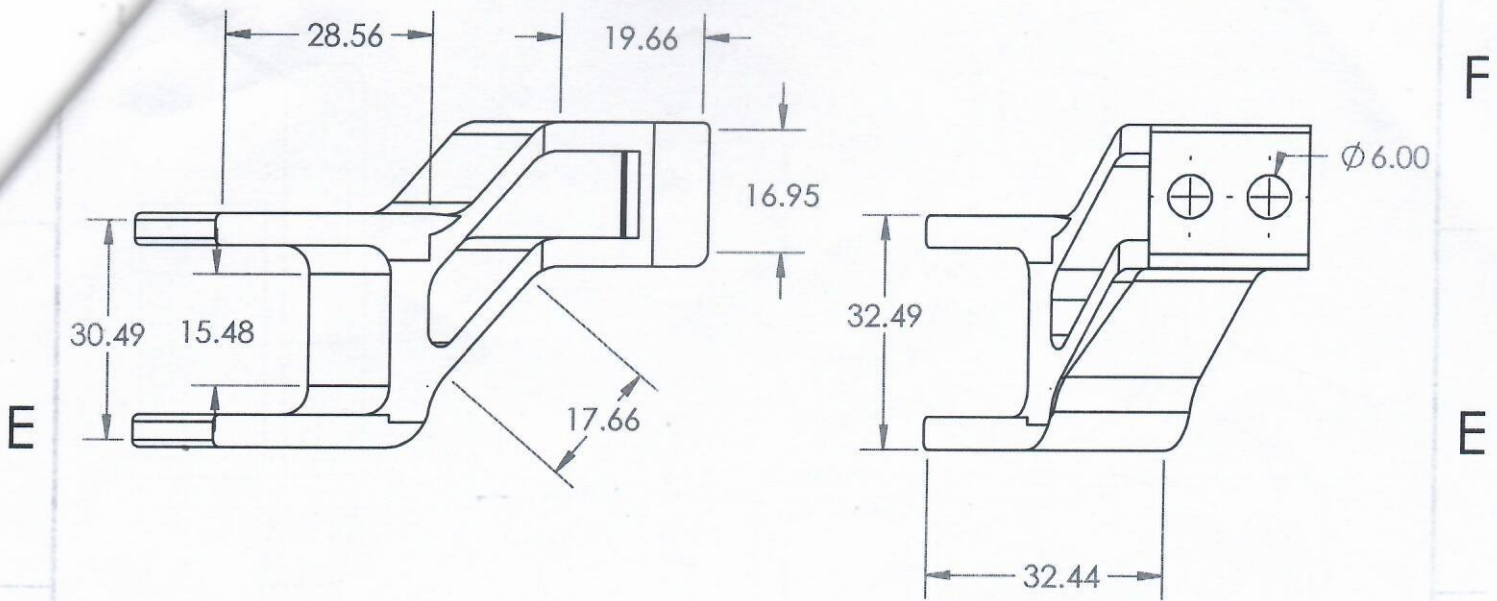
2

1

3

2

1



R.P.
Rajesh P. Parvekar
 Assoc. Professor (CAS) and
 Head
 Mechanical Engineering Department
 S.G.G.S.I.E. & T., Nanded

Tejas Kelne
 Captain

UNLESS OTHERWISE SPECIFIED: DIMENSIONS ARE IN MILLIMETERS SURFACE FINISH: TOLERANCES: LINEAR: ANGULAR:			FINISH:	DEBURR AND BREAK SHARP EDGES	DO NOT SCALE DRAWING	REVISION
DRAWN			NAME	SIGNATURE	DATE	TITLE:
CHK'D						right steering arm
APP'VD						
MFG						
Q.A						
MATERIAL:			AL-7075-T6			
WEIGHT:						SCALE: 1:1
						SHEET 1 OF 1

6/9

4

3

2

1

B

C

D

E

F

A

B

C

D

E

F

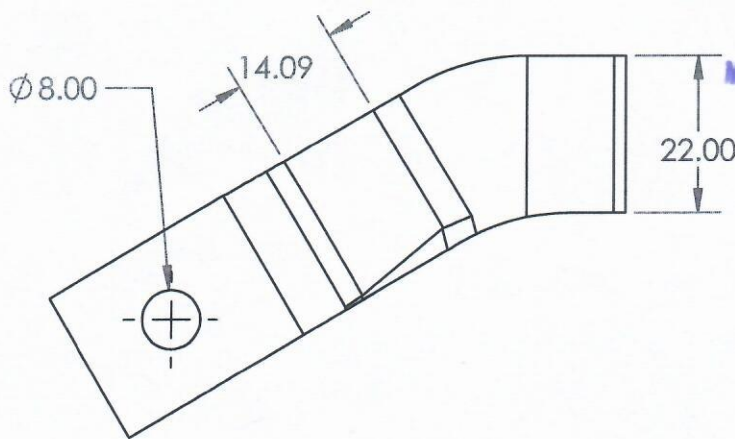
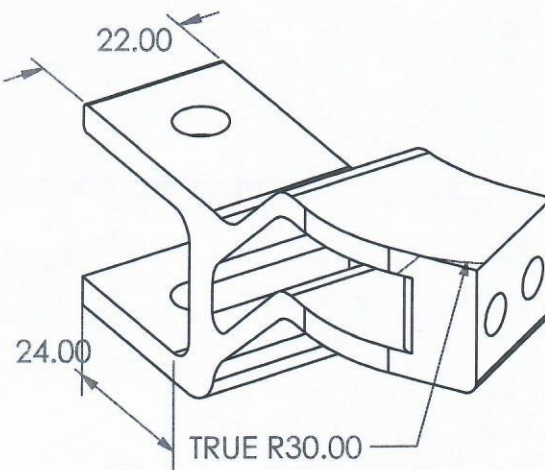
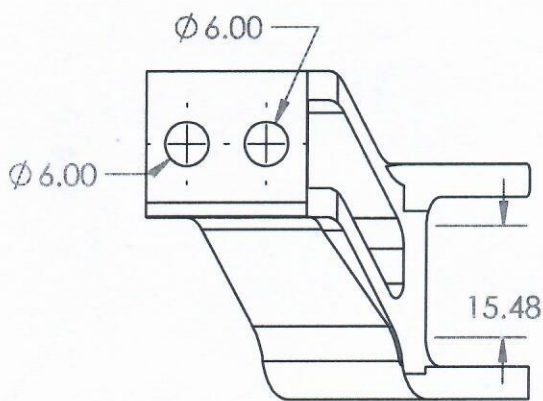
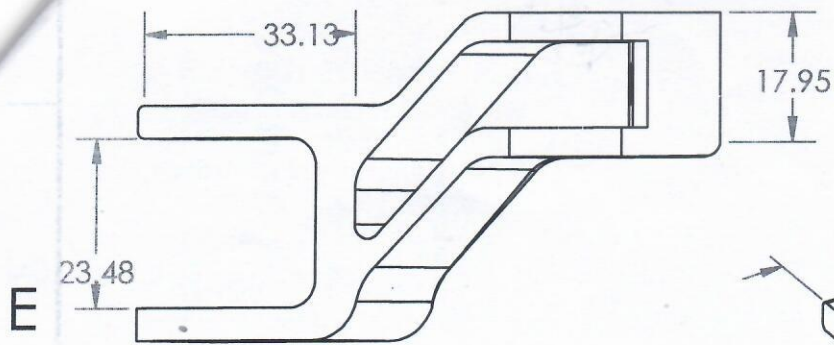
A

3

2

1

F



Rajesh P. Parvekar
Rajesh P. Parvekar
 Assoc. Professor (CAS) and
 Head
 Mechanical Engineering Department
 S.G.G.S.I.E. & T., Nanded

Tejas Kelne
Tejas Kelne
 Captain

UNLESS OTHERWISE SPECIFIED:
 DIMENSIONS ARE IN MILLIMETERS
 SURFACE FINISH:
 TOLERANCES:
 LINEAR:
 ANGULAR:

FINISH:

DEBURR AND
BREAK SHARP
EDGES

DO NOT SCALE DRAWING

REVISION

	NAME	SIGNATURE	DATE	TITLE:
DRAWN				
CHK'D				
APPV'D				
MFG				
Q.A				
MATERIAL:			DWG NO.	
AL-7075-T6			left steering arm	
WEIGHT:			SCALE:1:1	
			SHEET 1 OF 1	

left steering arm

A4

SCALE:1:1

SHEET 1 OF 1

7/9

4

3

2

1

A

A

C

C

D

D

E

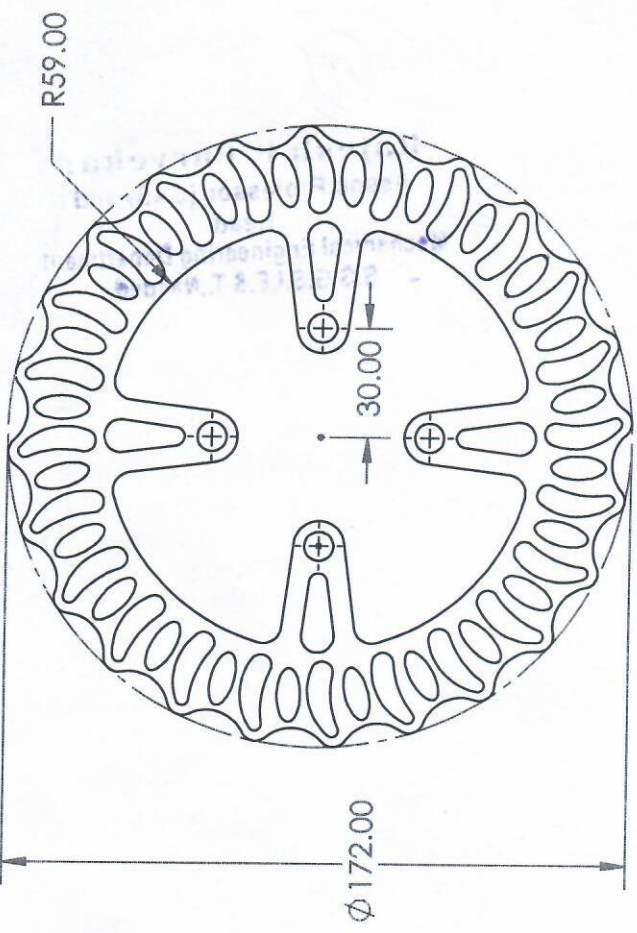
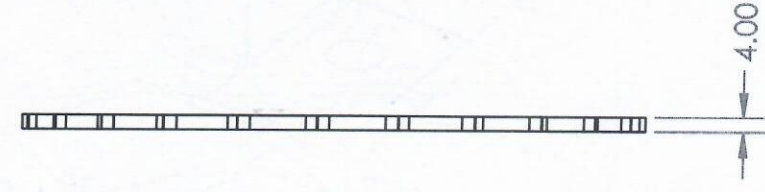
E

B

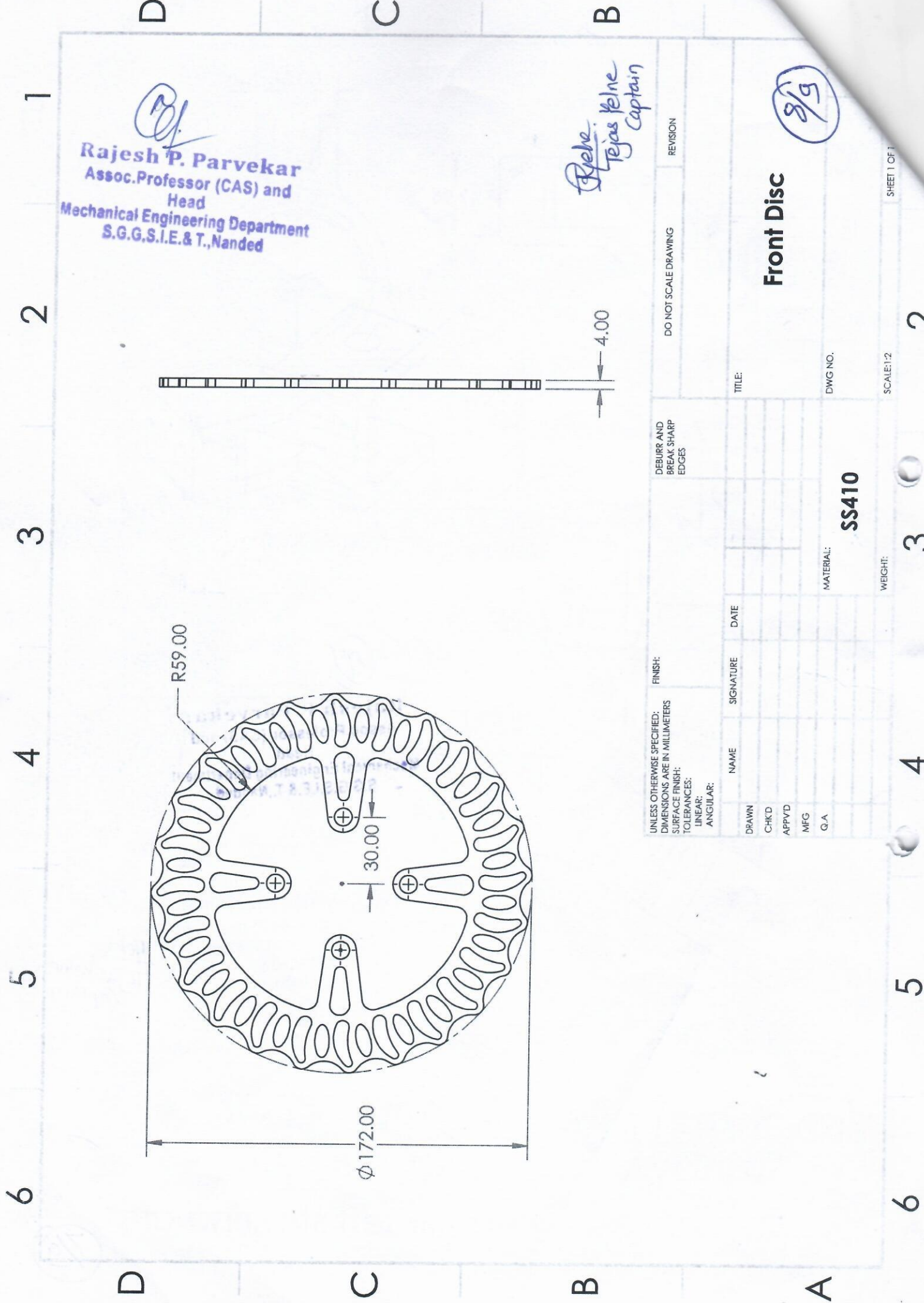
B


R.P.
Rajesh P. Parvekar
 Assoc. Professor (CAS) and
 Head
 Mechanical Engineering Department
 S.G.S.I.E. & T., Nanded

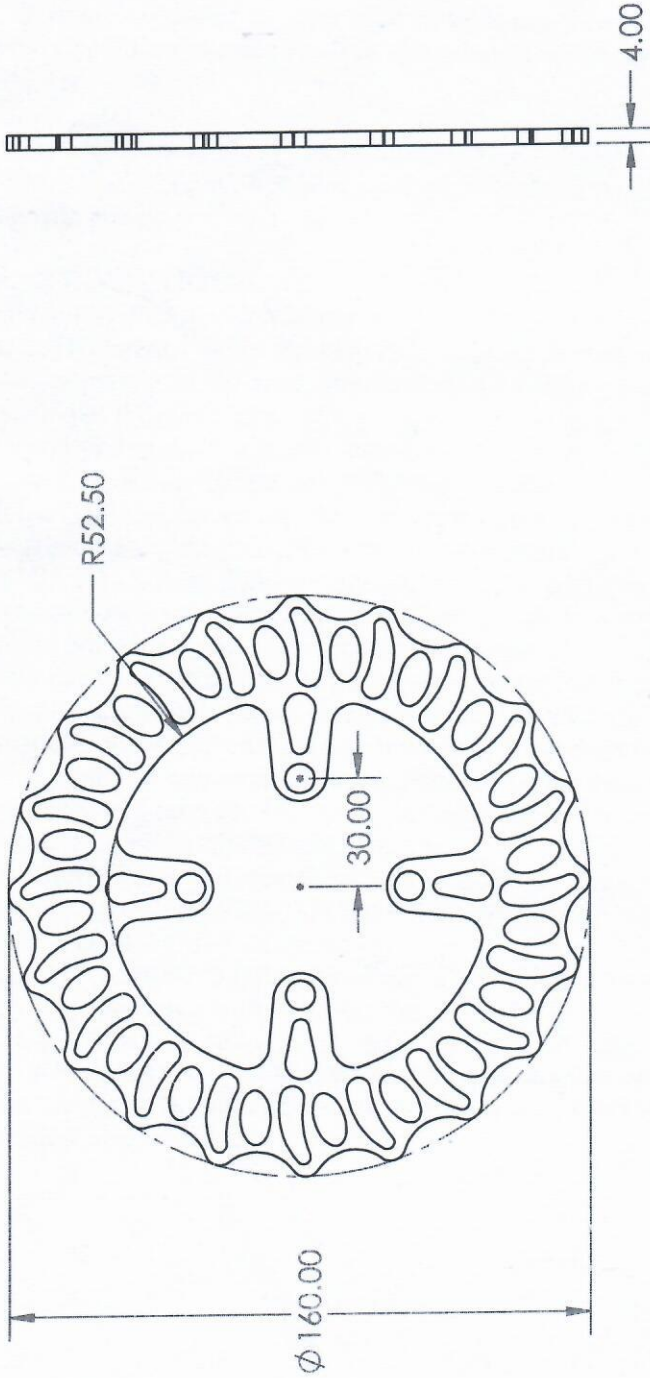
R. J.
Tejas Kelhe
 Captain

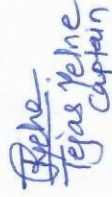


UNLESS OTHERWISE SPECIFIED: DIMENSIONS ARE IN MILLIMETERS		FINISH:		DO NOT SCALE DRAWING		REVISION	
SURFACE FINISH:		TOLERANCES:		DEBURR AND BREAK SHARP EDGES		TITLE:	
LINEAR:		ANGULAR:		NAME		SIGNATURE	
DATE		DATE		DRAWN		CHK'D	
MFG		G.A		APPVD		MFG	
MATERIAL: SS410		DWG NO. 9/g		TITLE: Front Disc		SCALE: 1:2	
WEIGHT:		SHEET 1 OF 1		SCALE: 1:2		WEIGHT:	




Rajesh P. Parvekar
 Assoc.Professor (CAS) and
 Head
 Mechanical Engineering Department
 S.G.G.S.I.E.& T., Nanded




 Tejas V. V. Parvekar
 Captain

Rear Disc


 A4

UNLESS OTHERWISE SPECIFIED: DIMENSIONS ARE IN MILLIMETERS		FINISH:		DEBURR AND BREAK SHARP EDGES		DO NOT SCALE DRAWING		REVISION	
SURFACE FINISH:		TOLERANCES:		LINEAR:		ANGULAR:		TITLE:	
DRAWN		NAME		SIGNATURE		DATE		DWG NO.	
CHK'D		MATERIAL:		SS410		Rear Disc		A4	
APP'VD		WEIGHT:		SCALE: 1:2		SHEET 1 OF 1			
MFG									
Q.A									